

WH-16A

MEC 8-AXIS CNC DUAL-POINT COILING MACHINE

For wire diameters of $\varnothing 0.5 \sim \varnothing 1.6$ mm

WH-16A realizes high-speed production, high-precision coiling, and reduction of setup time.

Outer coil diameters up to $\varnothing 50$ mm are available.

The coil program, equipment with a pitch diagram, allows the user to easily create programs for multiple shapes.



Compression
spring



Features

- 8-axis control with an emphasis on operability and quality improvement due to adopt dual feed roller**
 - The WH-16A supports various shapes with standard features of 8-axis feed control, cut, wedge-pitch, push-pitch, 1st and 2nd points, center-slide and arbor front/back.
 - The rotary or straight cuts, and wedge-pitch can be switched by simply moving the eccentric pin.
 - You can switch programming between right- and left-hand coiling without replacing the heavy slide.
 - The WH-16A is equipped with cut, wedge-pitch, and arbor functions on the center slide. As a result, it only needs to adjust the alignment of the cut tool once regardless of the coil diameter.
 - With adopting a dual feed roller, the load of feed pressure applied to the wire is reduced.
- Support for IOT**

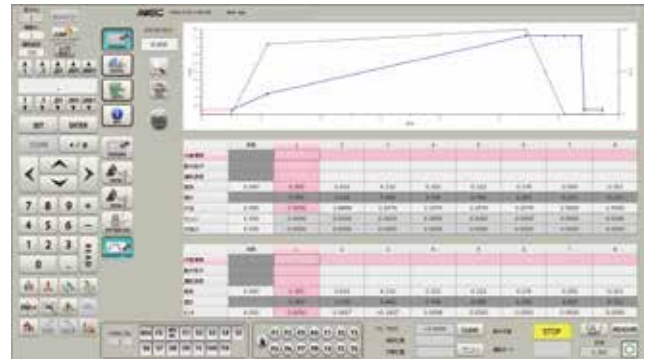
The operating status of machine can be monitored through mobile phones or computers, and regular maintenance with preventive maintenance functions can contribute to improved production efficiency.
- Optional equipment**

Initial-tension or rotation-point servo motor axes are available for 1st and 2nd point axes as an option.
- Improved operability with the MNO2 (MEC New Operation 2) programming software**
 - The MEC original spring program MNO2 easily organizes important statistics about the machine, including program flow, operating status of each axis, inputs/outputs, jump, etc., as with our other spring machines.
 - The program editing function has greatly evolved, and the navigation system function and touch screen make it easier to create programs and shorten the setup time.
 - The program for number of coils allows change of the feed, pitch, outer coil diameter, initial tension and wedge on the evolved pitch diagram screen, making it easier to adjust the basic coils.
 - For taper springs, you can control the rate of taper change by inputting a numerical value from 0 to 100. The taper is leaner when closer to 0, and bigger when approaching 100. In addition, it is also possible to perform load adjustment by slightly adjusting the value.
 - The automatic function of coil length correction is based on the capacitance length measurement method. The multi-functional production management system gives easy-to-control production.



Dual points area

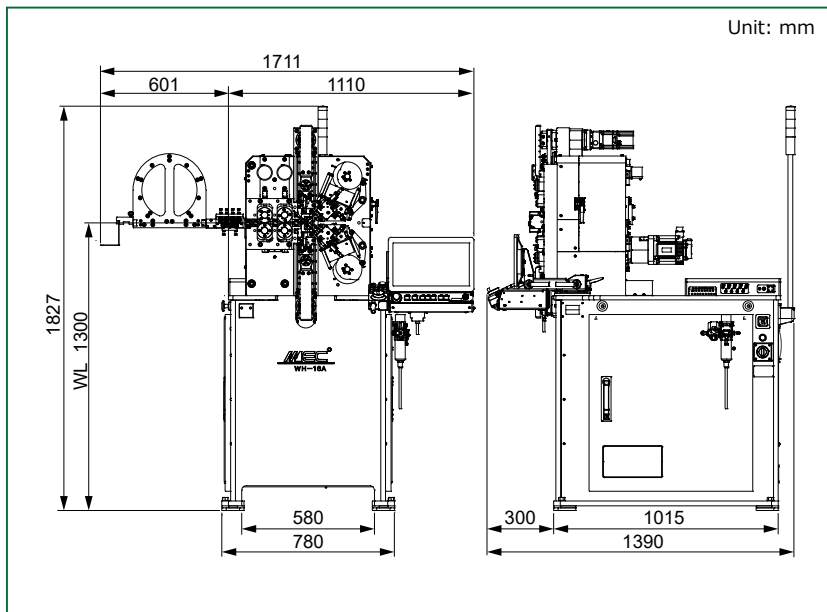
Having adjustment mechanisms for rotational direction along with coiling pin in/out, bobbing and tilting movement.



Program for number of coils (cylindrical coils)

The program makes easy to adjust the basic coils.

Specifications



*Resolution: Program input unit, which does not represent accuracy. Specifications are subject to change without notice for product improvement.

Machine name	WH-16A
Wire diameter	ø0.5 ~ ø1.6 mm
Outer coil diameter	ø50 mm
Index	D/d 4 or more
Feed axis*	0.0001 mm
Max feed speed	161 m/min
Cut axis*	0.001°
Wedge-pitch axis*	0.0001 mm
Push-pitch axis*	0.0001 mm
Point axis* x2	0.0001 mm
Center-slide axis*	0.0001 mm
Arbor front/back*	0.0001 mm
Solenoid valves	4 pcs (Max 8 pcs)
Max air pressure	0.5 MPa
Power source	3-phase, AC 200V, 15A
Net weight	820 kg
Control device	Windows
Software	MNO2
Display	15.6" Full HD touch screen
External memory	USB Thumb drive
Temperature	5 ~ 40°C

